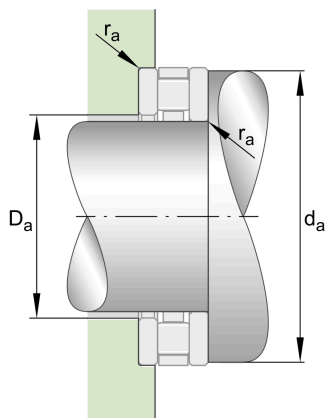
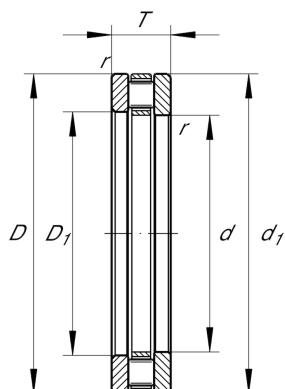
**81206-TV**

Axial cylindrical roller bearing

Schaeffler ID:  
0000997750000Axial cylindrical roller bearings 812, single  
direction, comprising K812, GS, WS

## Technical information

**Main Dimensions & Performance Data**

d	30 mm	Bore diameter
D	52 mm	Outside diameter
T	16 mm	Height
$C_a$	64,000 N	Basic dynamic load rating, axial
$C_{0a}$	141,000 N	Basic static load rating, axial
$C_{ua}$	14,400 N	Fatigue load limit, axial
$n_G$	7,000 1/min	Limiting speed
$n_{gr}$	2,650 1/min	Reference speed
	0.001 kg	Weight

**Additional information**

	K81206-TV	Axial roller and cage assembly
$D_1$	32 mm	Bore diameter housing washer
	GS81206	Housing Washer
$d_1$	52 mm	Rip diameter shaft washer
	WS81206	Shaft washer
$r_{min}$	0.6 mm	Minimum chamfer dimension

**Mounting dimensions**

$d_{a min}$	50 mm	Minimum diameter shaft shoulder
$D_{a max}$	31 mm	Maximum diameter of housing shoulder
$r_{a max}$	0.6 mm	Maximum recess radius

**Temperature range**

$T_{min}$	-30 °C	Operating temperature min.
$T_{max}$	120 °C	Operating temperature max.